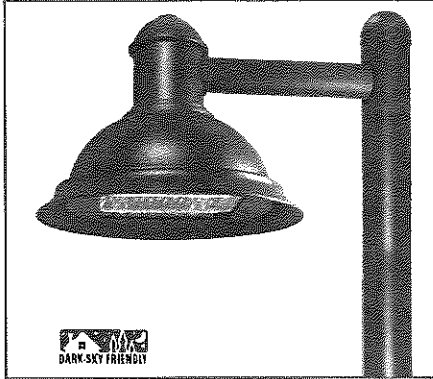




LED LIFESTYLE SMALL DECORATIVE AREA LIGHTS (XDLS)



US patent 7,828,456 8,002,428, 8,177,386 8,434,893 8,567,983 and US & int'l. patents pending

SMARTTEC™ - LSI drivers feature integral sensor which reduces drive current when ambient temperatures exceed rated temperature

ENERGY SAVING CONTROL OPTION - DIM - 0-10 volt dimming enabled with controls by others. **BLS** - Bi-level switching responds to external line voltage signal from separate 120-277V controller or sensor (by others), with low light level decreased to 30% maximum drive current.

EXPECTED LIFE - Minimum 60,000 to 100,000 hours depending upon the ambient temperature of installation location.

LEDs - Select high-brightness LEDs in Cool White (5000K), Neutral White (4000K) or Warm White (3500K) color temperature, CRI 70.

DISTRIBUTION PATTERN - Types 3, FT and 5. Exceptional uniformity creates bright environment at lower light levels. Improved backlight cutoff minimizes light trespass.

CROWN - Cast aluminum. Wiring emerges from crown through compression seal fitting to prevent water entry. One-piece silicone gasket seals crown to shade for water- and dust-tight construction.

SHADES - Spun aluminum. Two shade styles available - A - Angle and B - Bell.

OPTICAL UNIT - Optical unit and aluminum door frame recessed into shade and sealed with one-piece silicone gasket. Clear tempered flat glass lens sealed with silicone gasket to door frame (includes pressure-stabilizing breather). Optical unit is tethered and provides access to driver. Door frame retaining fasteners are captive.

BRACKETS - Brackets are extruded and cast aluminum assemblies or fabrications. All decorative elements are die cast or extruded aluminum.

MOUNTING - Classic Hook (CH), Side Arm (SA - 4" O.D. minimum pole top required), Wall Mount (W - for use CH or SA style), Pendant (PM) and Universal Pole Clamp (UCL) available. See Steel Round Pole and Aluminum Round Pole data sheets for pole selection information. Side Arm pole mount requires 3" reduced drilling pattern. Classic hook mount requires a 4" O.D. pole or tenon.

ELECTRICAL - Two-stage surge protection (including separate surge protection built into electronic driver) meets IEEE C62.41.2-2002, Location Category C. Available with universal voltage power supply 120-277VAC (UE - 50/60Hz input), and 347-480 VAC. Optional button-type photocells (PCI) are available in 120, 208, 240, 277 or 347 volt (supply voltage must be specified).

DRIVERS - Available in SS (Super Saver) and HO (High Output) drive currents (Drive currents are factory programmed.). Components are fully encased in potting material for moisture resistance. Driver complies with FCC standards. Driver and key electronic components can easily be accessed.

OPERATING TEMPERATURE - -40°C to +50°C (-40°F to +122°F).

FINISH - Each fixture is finished with LSI's DuraGrip polyester powder coat process. The DuraGrip finish withstands extreme weather changes without cracking or peeling.

WARRANTY - LSI LED fixtures carry a limited 5-year warranty.

PHOTOMETRICS - Please visit our web site at www.lsi-industries.com for detailed photometric data.

SHIPPING WEIGHT (IN CARTON) - 24 lbs. (10.8 kg)

LISTINGS - UL listed to U.S. and Canadian safety standards. Suitable for wet locations

		Lumens (Nominal)			Watts (Nominal)
		Type 3	Type FT	Type 5	
Cool White	SS	7100	6540	6220	71
	HO	9600	8990	8500	106
Neutral White	SS	6510	5840	5680	71
	HO	8610	7890	7780	106
Warm White	SS	CF	CF	CF	CF
	HO	CF	CF	CF	CF

LED Chips are frequently updated therefore values may increase.

This product, or selected versions of this product, meet the standards listed below. Please consult factory for your specific requirements.



Project Name _____ Fixture Type _____
Catalog # _____

07/14/15

© 2015

LSI INDUSTRIES INC.



LED LIFESTYLE SMALL DECORATIVE AREA LIGHTS (XDLS)



PRODUCT ORDERING INFORMATION

TYPICAL ORDER EXAMPLE: XDL5B 3 LED SS CW UE BLK CH S PCI120

Prefix	Distribution	Light Source	Drive Current	Color Temp	Input Voltage	Finish	Mounting Style ^{1,2}	Mounting Configuration ^{1,2}	Options
XDL5A' Angle Shade	3 - Type III	LED	SS - Super Saver	CW - Cool White (5000K)	UE - Universal Electronic (120-277V)	BLK - Black BRZ - Bronze	CH - Classic Hook SAH - Side Arm Mount for 4" O.D. Round Poles ³ SA5 - Side Arm Mount for 5" O.D. Round Poles ³	S - Single D180 - Double D90 - Double ⁴ T90 - Triple ⁴ TN120 - Triple ⁴ Q90 - Quad ⁴ W - Wall Mount (For use with CH or Side Arm Mounting Style)	DIM - 0-10 Volt Dimming (from external signal) ⁵ BLS - Bi-level Switching (from external 120-277V signal) ⁵ Button Type Photoceles PCI120 - 120V PCI208-277V - 208-277V PCI347 - 347V
XDL5B' Bell Shade	FT - Forward Throw		HO - High Output	NW - Neutral White (4000K) WW - Warm White (3500K)	347-480 Universal Voltage (347-480V)	GP1 - Graphite MSV - Metallic Silver PLP - Platinum Plus SVG - Salin Verde Green	UCL4 - Universal Pole Clamp for 4" O.D. Round Poles UCL5 - Universal Pole Clamp for 5" O.D. Round Poles		

ACCESSORY ORDERING INFORMATION

(Accessories are field installed)

Description	Order Number	Description	Order Number
FK120 Single Fusing (120V)	FK120*	DFK480 Double Fusing (480V)	DFK480*
FK277 Single Fusing (277V)	FK277*	FK347 Single Fusing (347V)	FK347*
DFK208-240 Double Fusing (208V, 240V)	DFK208-240*		

LUMINAIRE EPA CHART - XDLS

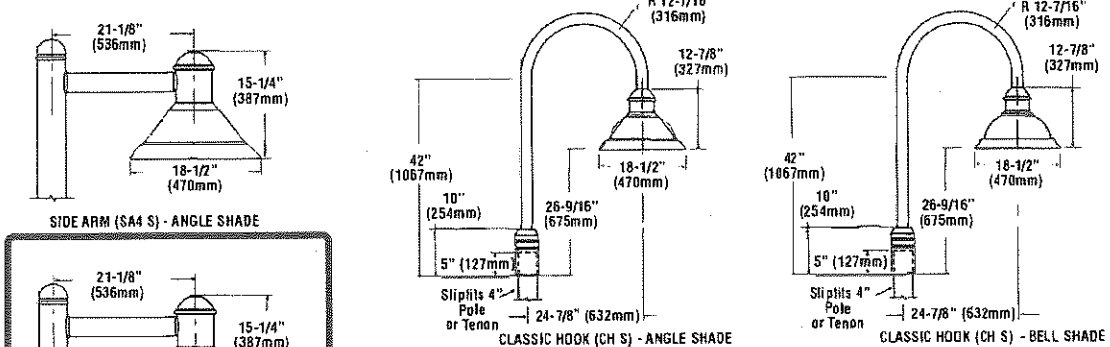
Configuration	Single	Value
Single	Single	1.6
D180°	D180°	2.7
D90°	D90°	2.3
T90°	T90°	3.3
TN120°	TN120°	3.4
Q90°	Q90°	4.1

Note: Includes Bracket

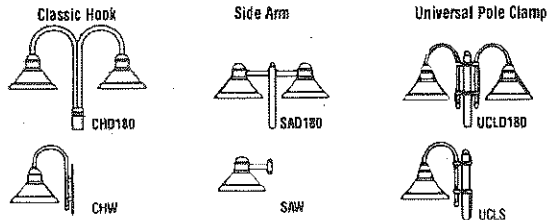
FOOTNOTES:

- When ordering a multiple configuration (D180, etc.) order one fixture/bracket configuration per pole - i.e., order one XDL5B 3 LED SS CW UE BLK CH D180 PCI120 to receive two fixtures and one CH D180 bracket (see drawing on this page). See STEEL ROUND POLES and ALUMINUM ROUND POLES data sheets for pole ordering information.
- See Lifestyle Bracket ordering chart for Mounting Style/Configurations availability.
- 3" reduced drilling pattern required.
- For use with SA4 and SA5 mounting styles only.
- DIM and BLS cannot be ordered together.
- Fusing must be located in the hand hole of pole.

DIMENSIONS



See Lifestyle Brackets and Mounts in outdoor section of latest Buyers Guide for details on other bracket sizes.



Project Name _____ Fixture Type _____
 Catalog # _____

Submitted by Electrical Systems Solutions, LLC



Job Name:

Catalog Number:

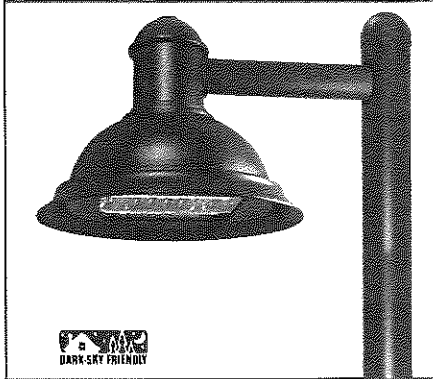
XDLSB 3 LED SS WW UE BRZ CH-S

Type:

SL1-III

Notes:

LED LIFESTYLE SMALL DECORATIVE AREA LIGHTS (XDLS)



US patent 7,828,456 8,002,428, 8,177,386 8,434,893 8,567,983 and US & int'l. patents pending

SMARTTEC™ - LSI drivers feature integral sensor which reduces drive current when ambient temperatures exceed rated temperature

ENERGY SAVING CONTROL OPTION - DIM - 0-10 volt dimming enabled with controls by others. BLS - Bi-level switching responds to external line voltage signal from separate 120-277V controller or sensor (by others), with low light level decreased to 30% maximum drive current.

EXPECTED LIFE - Minimum 60,000 to 100,000 hours depending upon the ambient temperature of installation location.

LEDS - Select high-brightness LEDs in Cool White (5000K), Neutral White (4000K) or Warm White (3500K) color temperature, CRI 70.

DISTRIBUTION PATTERN - Types 3, FT and 5. Exceptional uniformity creates bright environment at lower light levels. Improved backlight cutoff minimizes light trespass.

CROWN - Cast aluminum. Wiring emerges from crown through compression seal fitting to prevent water entry. One-piece silicone gasket seals crown to shade for water- and dust-tight construction.

SHADES - Spun aluminum. Two shade styles available - A - Angle and B - Bell.

OPTICAL UNIT - Optical unit and aluminum door frame recessed into shade and sealed with one-piece silicone gasket. Clear tempered flat glass lens sealed with silicone gasket to door frame (includes pressure-stabilizing breather). Optical unit is tethered and provides access to driver. Door frame retaining fasteners are captive.

BRACKETS - Brackets are extruded and cast aluminum assemblies or fabrications. All decorative elements are die cast or extruded aluminum.

MOUNTING - Classic Hook (CH), Side Arm (SA - 4" O.D. minimum pole top required), Wall Mount (W - for use CH or SA style), Pendant (PM) and Universal Pole Clamp (UCL) available. See Steel Round Pole and Aluminum Round Pole data sheets for pole selection information. Side Arm pole mount requires 3" reduced drilling pattern. Classic hook mount requires a 4" O.D. pole or tenon.

ELECTRICAL - Two-stage surge protection (including separate surge protection built into electronic driver) meets IEEE C62.41.2-2002, Location Category C. Available with universal voltage power supply 120-277VAC (UE - 50/60Hz input), and 347-480 VAC. Optional button-type photocells (PCI) are available in 120, 208, 240, 277 or 347 volt (supply voltage must be specified).

DRIVERS - Available in SS (Super Saver) and HO (High Output) drive currents (Drive currents are factory programmed.). Components are fully encased in potting material for moisture resistance. Driver complies with FCC standards. Driver and key electronic components can easily be accessed.

OPERATING TEMPERATURE - -40°C to +50°C (-40°F to +122°F).

FINISH - Each fixture is finished with LSI's DuraGrip polyester powder coat process. The DuraGrip finish withstands extreme weather changes without cracking or peeling.

WARRANTY - LSI LED fixtures carry a limited 5-year warranty.

PHOTOMETRICS - Please visit our web site at www.lsi-industries.com for detailed photometric data.

SHIPPING WEIGHT (IN CARTON) - 24 lbs. (10.8 kg)

LISTINGS - UL listed to U.S. and Canadian safety standards. Suitable for wet locations

		Lumens (Nominal)			Watts (Nominal)
		Type 3	Type FT	Type 5	
Cool White	SS	7100	6540	6220	71
	HO	9600	8990	8500	106
Neutral White	SS	6510	5840	5680	71
	HO	8810	7890	7780	106
Warm White	SS	CF	CF	CF	CF
	HO	CF	CF	CF	CF

LED Chips are frequently updated therefore values may increase.

This product, or selected versions of this product, meet the standards listed below. Please consult factory for your specific requirements.



Project Name _____ Fixture Type _____

Catalog # _____

07/14/15

© 2015 LSI INDUSTRIES INC.

Submitted by Electrical Systems Solutions, LLC



Job Name:

Catalog Number:

XDLSB 3 LED SS WW UE BRZ CH-S

Type:

SL1-III

Notes:

LED LIFESTYLE SMALL DECORATIVE AREA LIGHTS (XDLS)



PRODUCT ORDERING INFORMATION

TYPICAL ORDER EXAMPLE: **XDLSB 3 LED SS CW UE BLK CH S PCI120**

Prefix	Distribution	Light Source	Drive Current	Color Temp	Input Voltage	Finish	Mounting Style ^{1,2}	Mounting Configuration ^{1,2}	Options
XDLSA ¹ Angle Shade	3 - Type III 5 - Type V FT - Forward Throw	LED SS - Super Saver	CW - Cool White (5000K) NW - Neutral White (4000K) WW - Warm White (3500K)	UE - Universal Electronic (120-277V)	347-480 Universal Voltage (347-480V)	BLK - Black BRZ - Bronze WHT - White GPT - Graphite MSV - Metallic Silver PLP - Platinum Plus SVG - Satin Verde Green	CH - Classic Hook SA4 - Side Arm Mount for 4" O.D. Round Poles ³ SA5 - Side Arm Mount for 5" O.D. Round Poles ³ PM - Pendant Mount UCL4 - Universal Pole Clamp for 4" O.D. Round Poles UCL5 - Universal Pole Clamp for 5" O.D. Round Poles	S - Single D180 - Double D90 - Double ⁴ T90 - Triple ⁴ TN120 - Triple ⁴ Q90 - Quad ⁴ W - Wall Mount (For use with CH or Side Arm Mounting Style)	DIM - 0-10 Volt Dimming (from external signal) ⁵ BLS - Bi-level Switching (from external 120-277V signal) ⁵ Button Type Photocells PCI120 - 120V PCI208-277V - 208-277V PC347 - 347V

ACCESSORY ORDERING INFORMATION

(Accessories are field installed)

Description	Order Number	Description	Order Number
FK120 Single Fusing (120V)	FK120*	DK480 Double Fusing (480V)	DK480*
FK277 Single Fusing (277V)	FK277*	FK347 Single Fusing (347V)	FK347*
DFK208, 240 Double Fusing (208V, 240V)	DFK208, 240*		

LUMINAIRE EPA CHART - XDLS

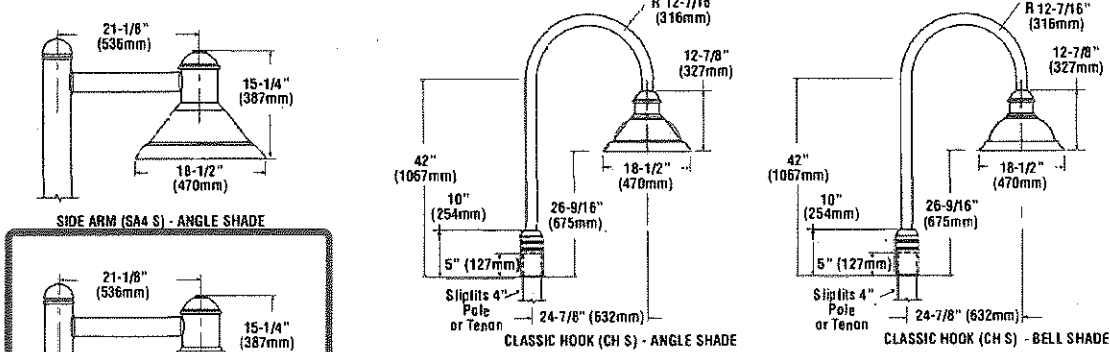
Configuration	EPA Rating
Single	1.6
D180°	2.7
D90°	2.3
T90°	3.3
TN120°	3.4
Q90°	4.1

Note: Includes Bracket

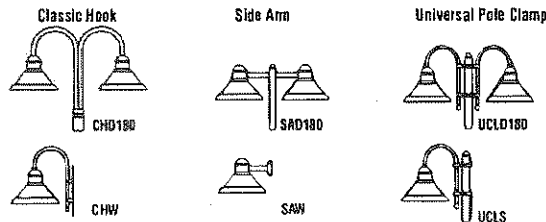
FOOTNOTES:

- When ordering a multiple configuration (D180, etc.) order one fixture/bracket configuration per pole - i.e. order one XDLSB 3 LED SS CW UE BLK CH D180 PCI120 to receive two fixtures and one CH D180 bracket (see drawing on this page). See STEEL ROUND POLES and ALUMINUM ROUND POLES data sheets for pole ordering information.
- See Lifestyle Bracket ordering chart for Mounting Style/Configurations availability.
- 3-3" reduced drilling pattern required.
- For use with SA4 and SA5 mounting styles only.
- DIM and BLS cannot be ordered together.
- Fusing must be located in the hand hole of pole.

DIMENSIONS



See Lifestyle Brackets and Mounts in outdoor section of latest Buyers Guide for details on other bracket sizes.



Project Name _____ Fixture Type _____
Catalog # _____

07/14/15
© 2015
LSI INDUSTRIES INC.

ALLENBURY COLLECTION

Allenbury™ 12" 1 Light Wall Light Olde Bronze

49980OZ (Olde Bronze)



Project Name: _____
Location: _____
Type: _____
Qty: _____
Comments: _____

Certifications/Qualifications

Location Rating Wet
www.kichler.com/warranty

Dimensions

Base Backplate 5.25 DIA
Extension 17.25"
Weight 1.00 LBS
Height from center of Wall opening (Spec Sheet) 4.25"
Height 9.00"
Width 12.00"

Primary Lamping

Lamp Included Not Included
Lamp Type A19
Light Source Incandescent
Max or Nominal Watt 100W
of Bulbs/LED Modules 1
Socket Type Medium
Socket Wire 150

Product/Ordering Information

SKU 49980OZ
Finish Bronze
Style Coastal
UPC 7.83928E+11

Specifications

Material EPM

Additional Finishes

Olde Bronze
 Textured Black
 White

Kichler
7711 East Pleasant Valley Road Cleveland, Ohio 44131-8010
Toll free: 866.558.5706 or kichler.com

Notes:
1) Information provided is subject to change without notice. All values are design or typical values when measured under laboratory conditions.
2) Incandescent Equivalent: The incandescent equivalent as presented is an approximate number and is for reference only.

KICHLER